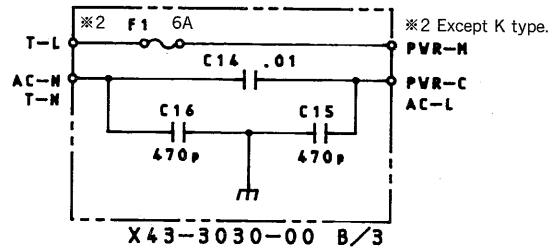
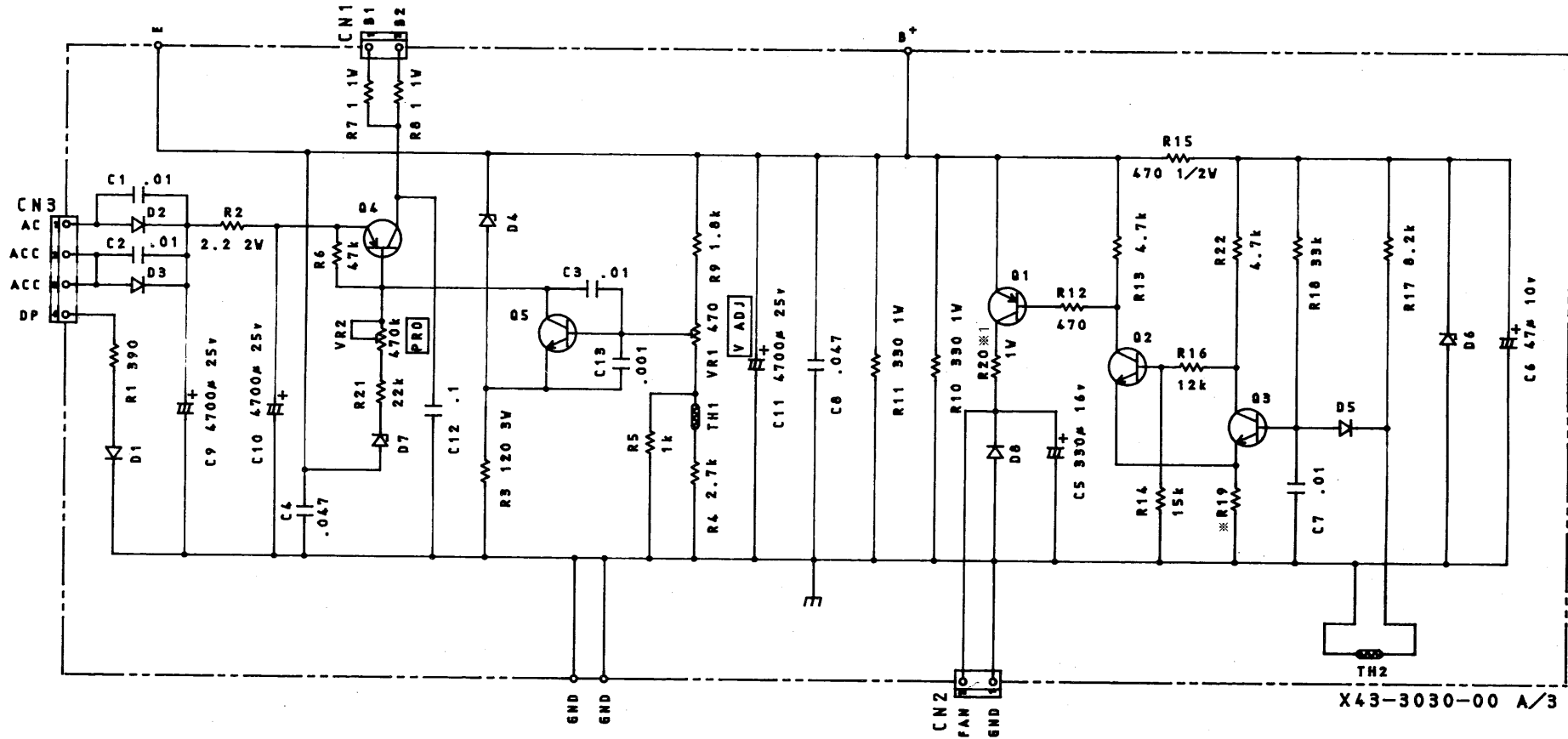


■ AVR UNIT (X43-3030-00)



※1

	PS-31	PS-52
R19	6.8K	3.9K
R20	150	82

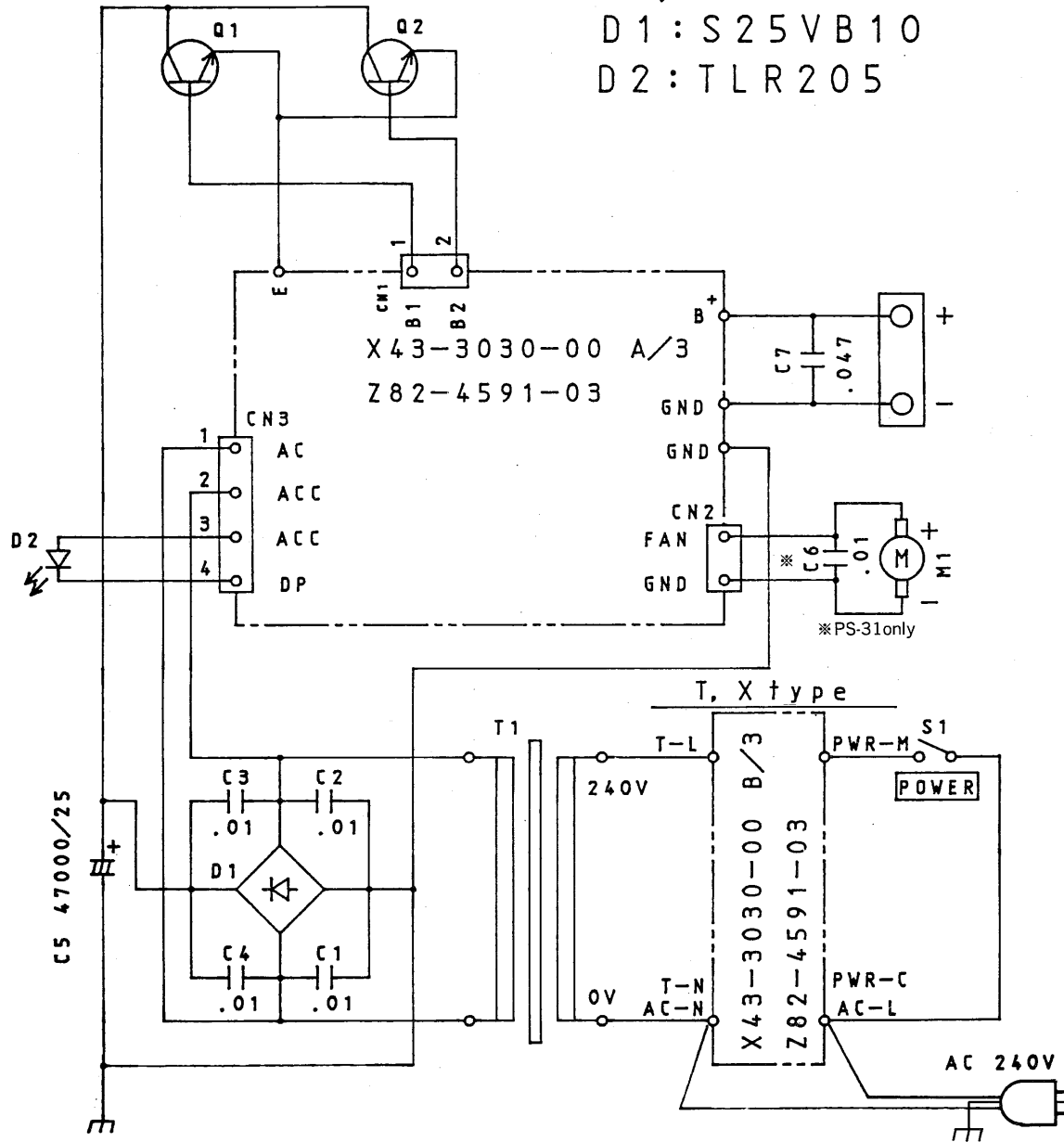


- | | |
|-------------------------|----------------|
| Q1: 2SA562 (Y) | D4, 6: UZ9.1BL |
| Q2, Q3, Q5: 2SC2458 (Y) | D7: UZ15BH |
| Q4: 2SB941 (Q) | TH1: 32D27 |
| D1, 5, 8: 1S1555 | TH2: 5TP41L |
| D2, 3: DSA3A1 | |

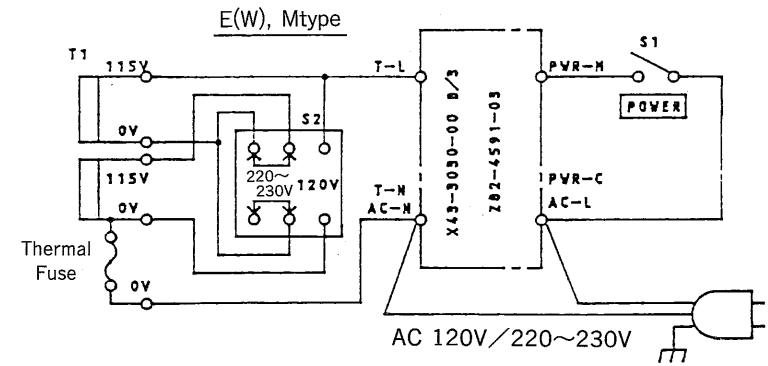
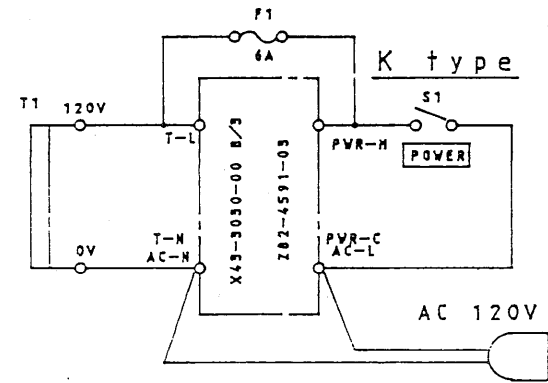
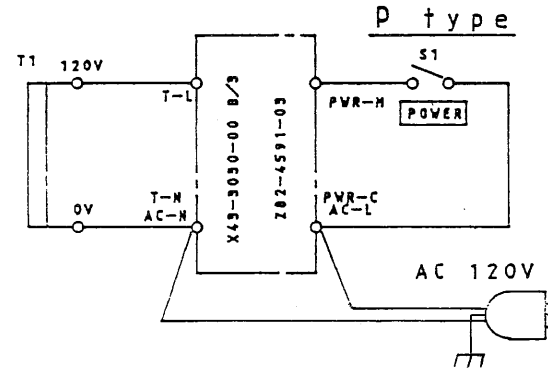
Note: _____
 Circuit is subject to change without notice due to advancement in technology.

CIRCUIT DIAGRAM

■ SCHEMATIC DIAGRAM



Q1, Q2 : 2N5885
 D1 : S25VB10
 D2 : TLR205



Note: _____
 Circuit is subject to change without notice due to advancement in technology.